

IMMAGINE INDICATIVA PRODOTTO

### Product file

Type	Compact
Mounting	Wall
Code	BEWS251MA10P11
Range	BEWS
Version	Saddle
Noise	31.6 dBA 10 m
Condensation	Air
Net weight	45 kg
PED	0
Defrost	Hot gas
Expansion	Valve
Application	MBP
Refrigerant	R290

### Dimensions

Width L	421 mm
Depth P	876 mm
Height H	728 mm

### Absorptions

Power consumption	540 W
Current consumption	2.9 A

### Condenser

Fan-motors no.	1
Diameter	254 mm
Air flow	600 m <sup>3</sup> /h

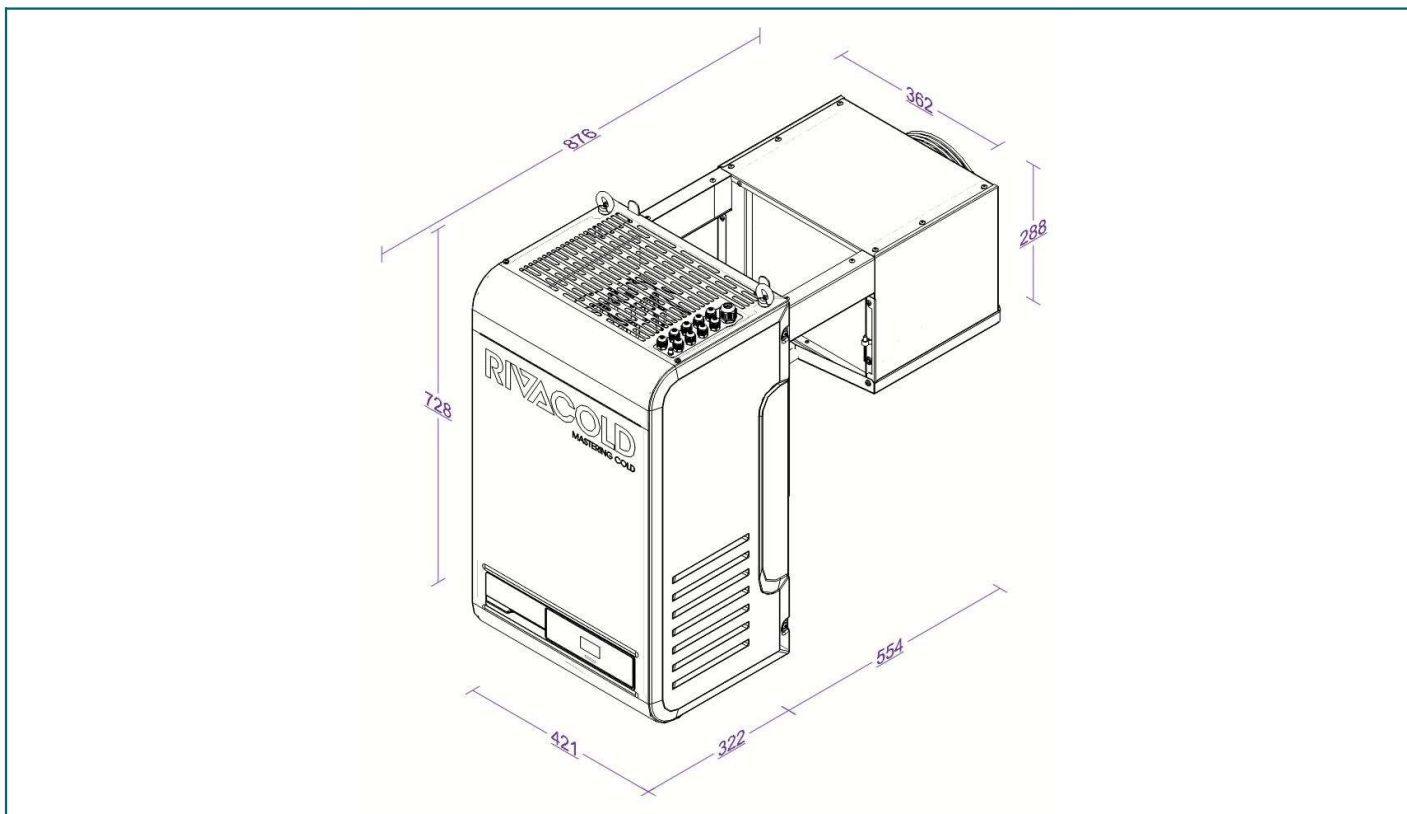
### Unit cooler

Fan-motors no.	1
Diameter	200 mm
Air flow	500 m <sup>3</sup> /h
Air throw	6.5 m

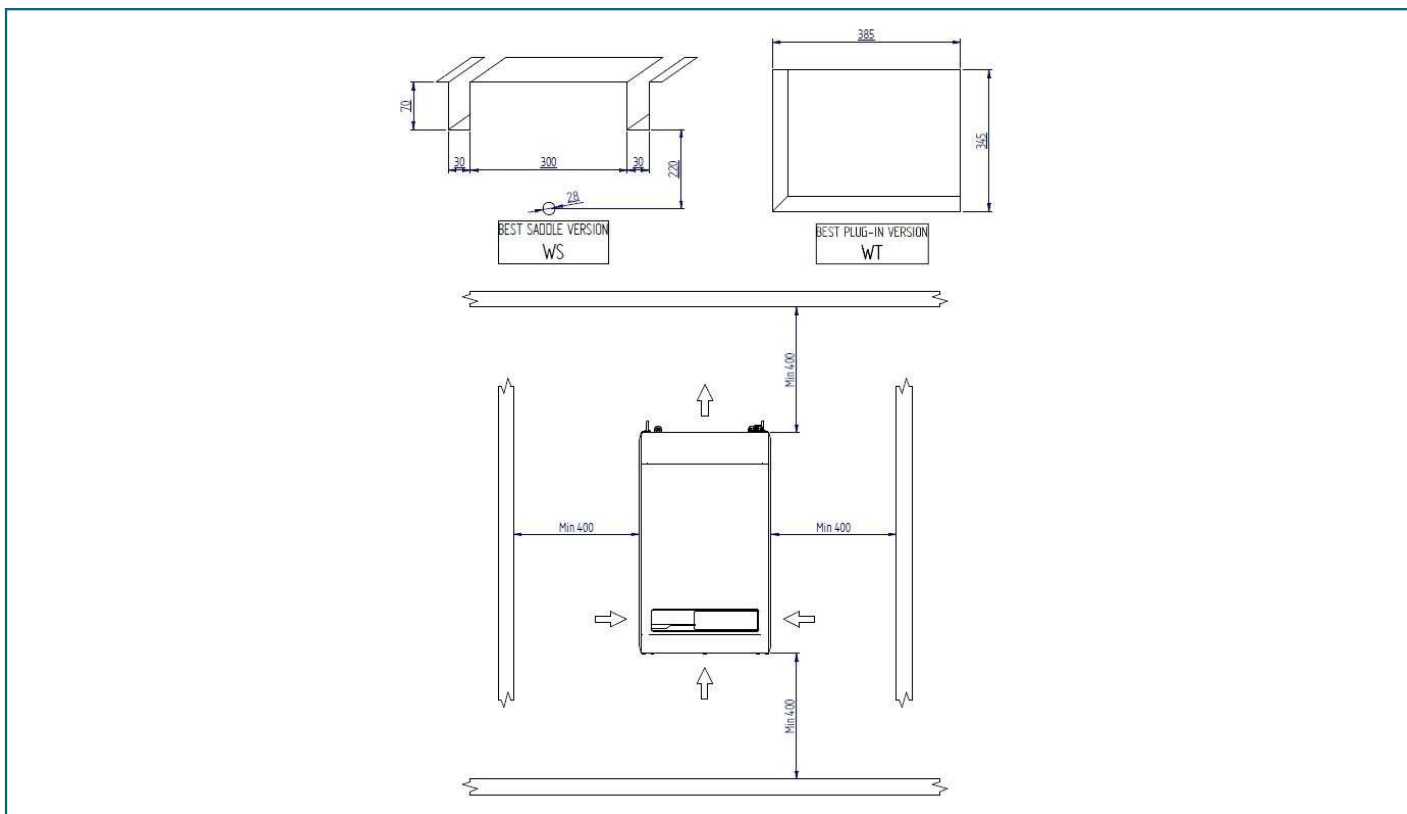
### Compressor

Type	Hermetic
Compressors no.	1
Brand	EMBRACO
Voltage	230/1/50
Displacement	12.1 cm <sup>3</sup>

**Technical data - BEWS251MA10P11**



**Technical data - BEWS251MA10P11**



**Refrigerating capacity table - BEWS251MA10P11 - Refrigerant: R290**

TA \ Tcella	-5°C	0°C	5°C	10°C
<b>25°C</b>	870 (7.7 m³)	1001 (11.6 m³)	1143 (19.4 m³)	1295 (31.8 m³)
<b>32°C</b>	812 (5.5 m³)	938 (8.2 m³)	1073 (12.6 m³)	1218 (22 m³)
<b>43°C</b>	719 (3.1 m³)	832 (4.5 m³)	955 (6.6 m³)	1085 (9.8 m³)

**Values referred to :**

Suction gas : +20°C

Subcooling : 0K

Superheat : 100%

Compressor absorption :

Te -5°C (HBP); Tcond +50°C

Te -10°C (MBP); Tcond +50°C

Te -30°C (LBP); Tcond +50°C



IMMAGINE INDICATIVA PRODOTTO

**MAIN COMPONENTS MECHANICAL PART**

- Hermetic compressors with thermal motor protection
- Condenser with Ø5mm tubes with internale spiral rifling
- Evaporator with Ø5/16" tubes with internal spiral rifling
- Electronic fan-motors on both condenser and evaporator
- Mechanical thermostat valve supplied standard across entire range
- Hot gas defrosting
- Evaporating water tray
- R290 refrigerant charge ≤ 150g per circuit

**CONTROL CIRCUIT and ELECTRIC PART**

- Safety pressure switch on high pressure side
- High and low pressure probes
- Door micro wired with cable L= 2.5
- Door heater cable on LT models (L = 2.5m)
- LED cold room light with cable L= 5m
- Power cable L= 2.5 m with wired electrical plug
- Industrial Plug (2P+E or 3P+N+E) 16 A
- Industrial Plug (2P+E) 32 A only on BEWx352MA80P11 and BEWx352LA60P11

**ELECTRONIC CONTROL**

- Riv-olution: programmable electronic control with software developed by Rivacold
- Smart Defrost and Leak Detector functions
- Bluetooth connectivity
- APP to manage and control packaged system functions
- Connection cable for BMS (RTU Modbus Protocol)
- LED display with new graphics and white backlight
- Backlit touch keyboard

**STRUCTURE**

- Self-supporting frame in galvanized metal sheet
- Easily removable housing to allow rapid access to the components in case of inspection or maintenance
- Installation kit complete with screws and washers to secure the packaged system to the wall of the coldroom and sealing putty in strips for insulation
- Plug-in thickness 100 mm for MT models and 150 mm for BT models (WT models)

**OPTIONAL ITEMS**

- Epoxy powder finish on all metal sheets
- Plug-in insulation kits supplied separately for saddle models (WS): 100mm, 150mm, 200mm
- Catephoresis treatment of exchangers (Condenser + Evaporator)
- Extension cable kits L=5m and L=10m (coldroom light cable, door heater cable, micro-switch cable)
- Remote control panel kits with 5m cable and 10m cable
- Presetting for Master & Slave (cable L=5m)
- Alarm cable kit L=5m
- IoT – Remote monitoring and control service (Wi-fi – 2G)